



US008261491B2

(12) **United States Patent**
Yulkowski et al.

(10) **Patent No.:** **US 8,261,491 B2**
(45) **Date of Patent:** **Sep. 11, 2012**

(54) **CONCEALED ELECTRICAL DOOR OPERATOR**

(75) Inventors: **Leon Yulkowski**, Bloomfield Hills, MI (US); **Gerard Edwards**, Centerville, OH (US); **Steve Gebhart**, Tipp City, OH (US)

(73) Assignees: **Leon Yulkowski**, Bloomfield Hills, MI (US); **Globe Motors, Inc.**, Dayton, OH (US)

(*) Notice: Subject to any disclaimer, the term of this patent is extended or adjusted under 35 U.S.C. 154(b) by 501 days.

(21) Appl. No.: **12/416,622**

(22) Filed: **Apr. 1, 2009**

(65) **Prior Publication Data**

US 2009/0249699 A1 Oct. 8, 2009

Related U.S. Application Data

(60) Provisional application No. 61/041,696, filed on Apr. 2, 2008, provisional application No. 61/054,952, filed on May 21, 2008.

(51) **Int. Cl.**
E05F 15/12 (2006.01)

(52) **U.S. Cl.** **49/358**; 49/25; 49/280; 49/300; 49/302; 49/279

(58) **Field of Classification Search** 49/358, 49/359, 25, 279, 280, 300, 302
See application file for complete search history.

(56) **References Cited**

U.S. PATENT DOCUMENTS

4,333,268 A * 6/1982 Dumbeck 49/34
4,698,937 A 10/1987 Kornbrekke et al.

4,727,679 A 3/1988 Kornbrekke et al.
4,952,080 A 8/1990 Boiucaner et al.
4,980,618 A 12/1990 Milnes et al.
5,018,304 A 5/1991 Longoria
5,040,331 A * 8/1991 Merendino et al. 49/25
5,583,405 A * 12/1996 Sai et al. 318/286
5,770,934 A 6/1998 Theile
5,878,530 A * 3/1999 Eccleston et al. 49/139
6,049,287 A * 4/2000 Yulkowski 340/693.12

(Continued)

FOREIGN PATENT DOCUMENTS

DE 102007038421 9/2008

OTHER PUBLICATIONS

International Search Report dated Jun. 18, 2010 for PCT application No. PCT/US2010/027423.

Primary Examiner — Katherine W Mitchell

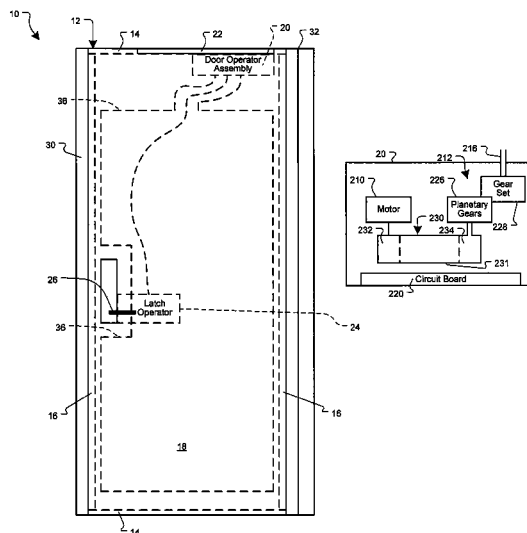
Assistant Examiner — Marcus Menezes

(74) *Attorney, Agent, or Firm* — Evan Law Group LLC

(57) **ABSTRACT**

A door assembly includes a first door skin, a second door skin spaced apart from the first door skin and a door operator disposed between the first door skin and the second door skin. An arm extends from the door operator. The door operator includes a motor moving the arm to move the door between a closed position and an open position and between the open position and the closed position. A current sensor generates a current signal corresponding to the current to the motor. A position sensor in communication with the door arm generates a position signal corresponding to the position of the door relative to the frame. A controller communicates with the sensor and the motor. The controller controls a motor current to the motor in response to the current signal and the position signal.

20 Claims, 6 Drawing Sheets



US 8,261,491 B2

Page 2

U.S. PATENT DOCUMENTS							
				6,970,085	B2 *	11/2005	Okabe et al. 340/545.6
				7,070,226	B2 *	7/2006	Cleland et al. 296/146.8
6,183,023	B1	2/2001	Yulkowski	7,382,063	B2	6/2008	Mullet et al.
6,259,352	B1 *	7/2001	Yulkowski et al. 340/5.7	2002/0026750	A1	3/2002	St. John et al.
6,336,294	B1	1/2002	Kowalczyk et al.	2002/0104266	A1	8/2002	Ranaudo
6,338,693	B1	1/2002	Scholten et al.	2004/0187387	A1	9/2004	Hedrich
6,481,160	B1	11/2002	Kowalczyk	2006/0267409	A1	11/2006	Mullet et al.
6,553,717	B2 *	4/2003	St. John et al. 49/340	2009/0249699	A1	10/2009	Yulkowski
6,705,047	B2 *	3/2004	Yulkowski 49/346	2010/0242368	A1	9/2010	Yulkowski
6,751,909	B2	6/2004	Ranaudo				
6,967,451	B2 *	11/2005	Miyauchi 318/443				

* cited by examiner

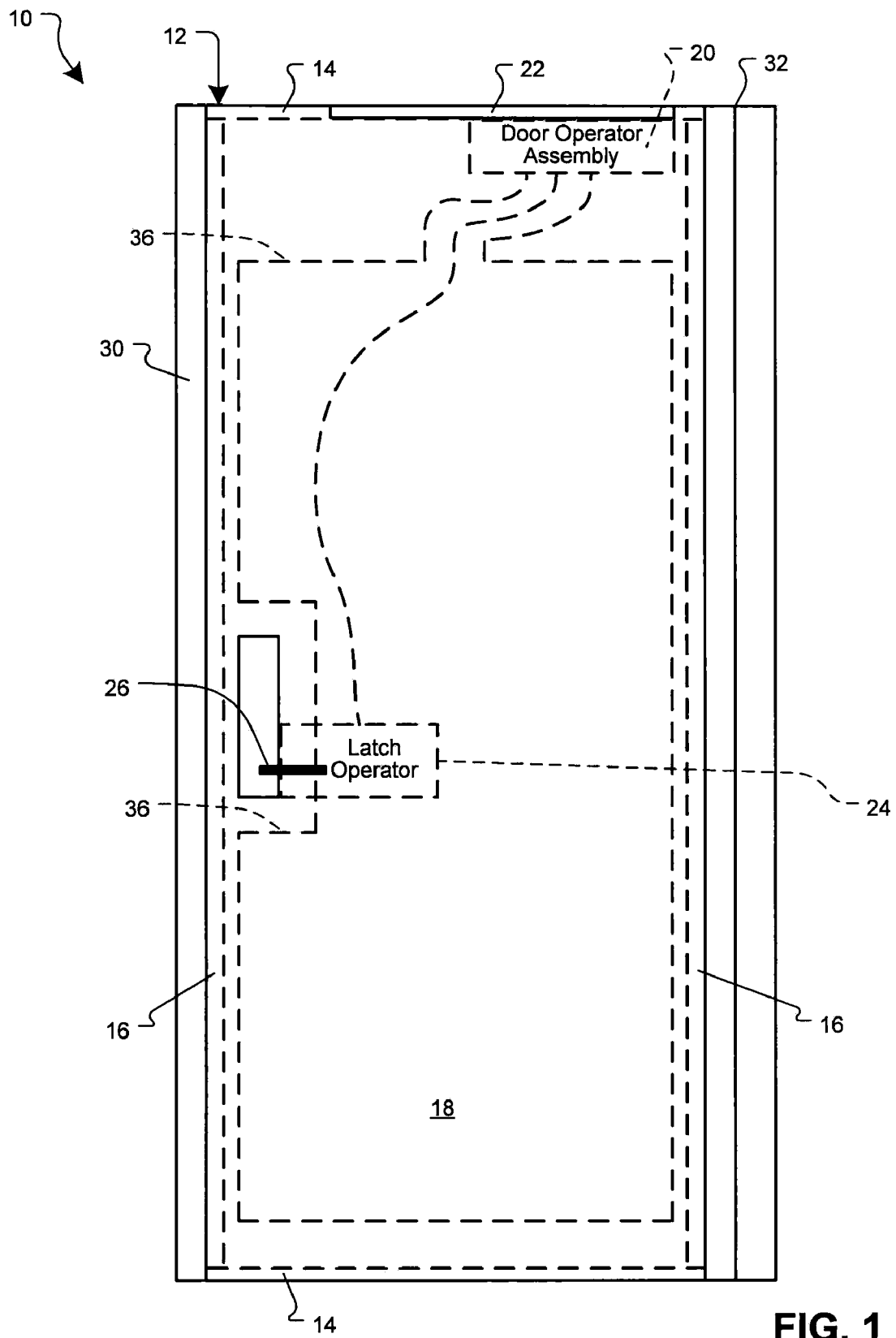


FIG. 1

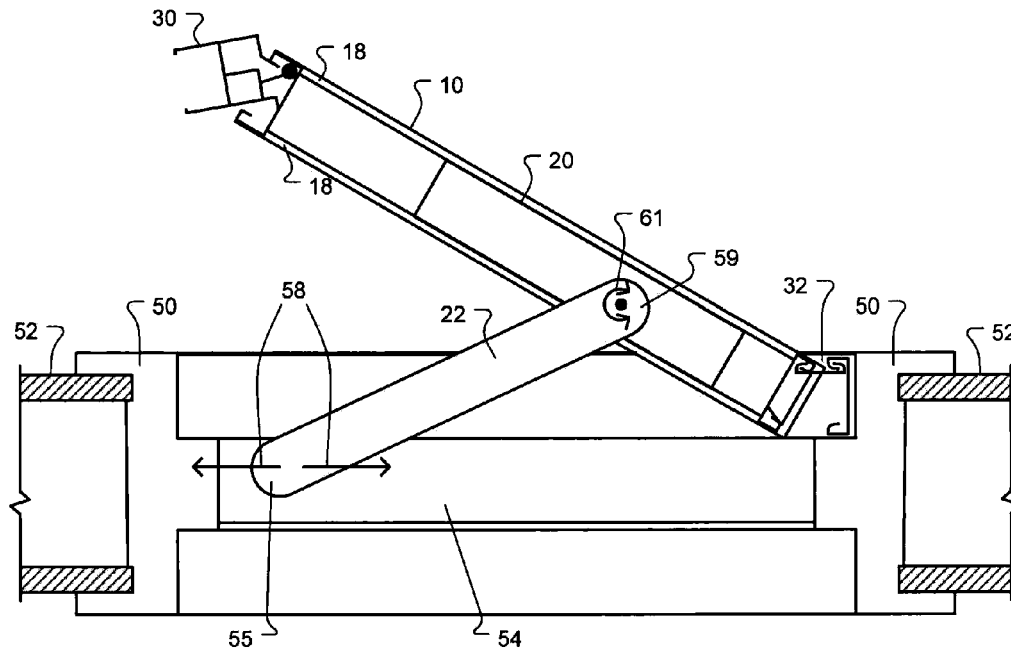


FIG. 2

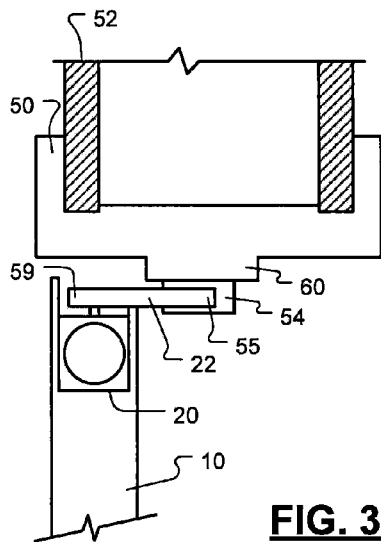


FIG. 3

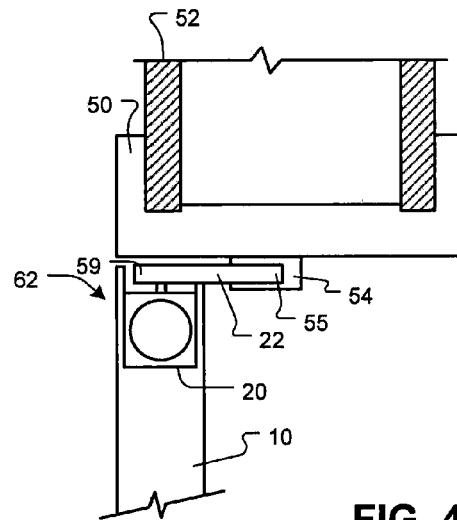


FIG. 4

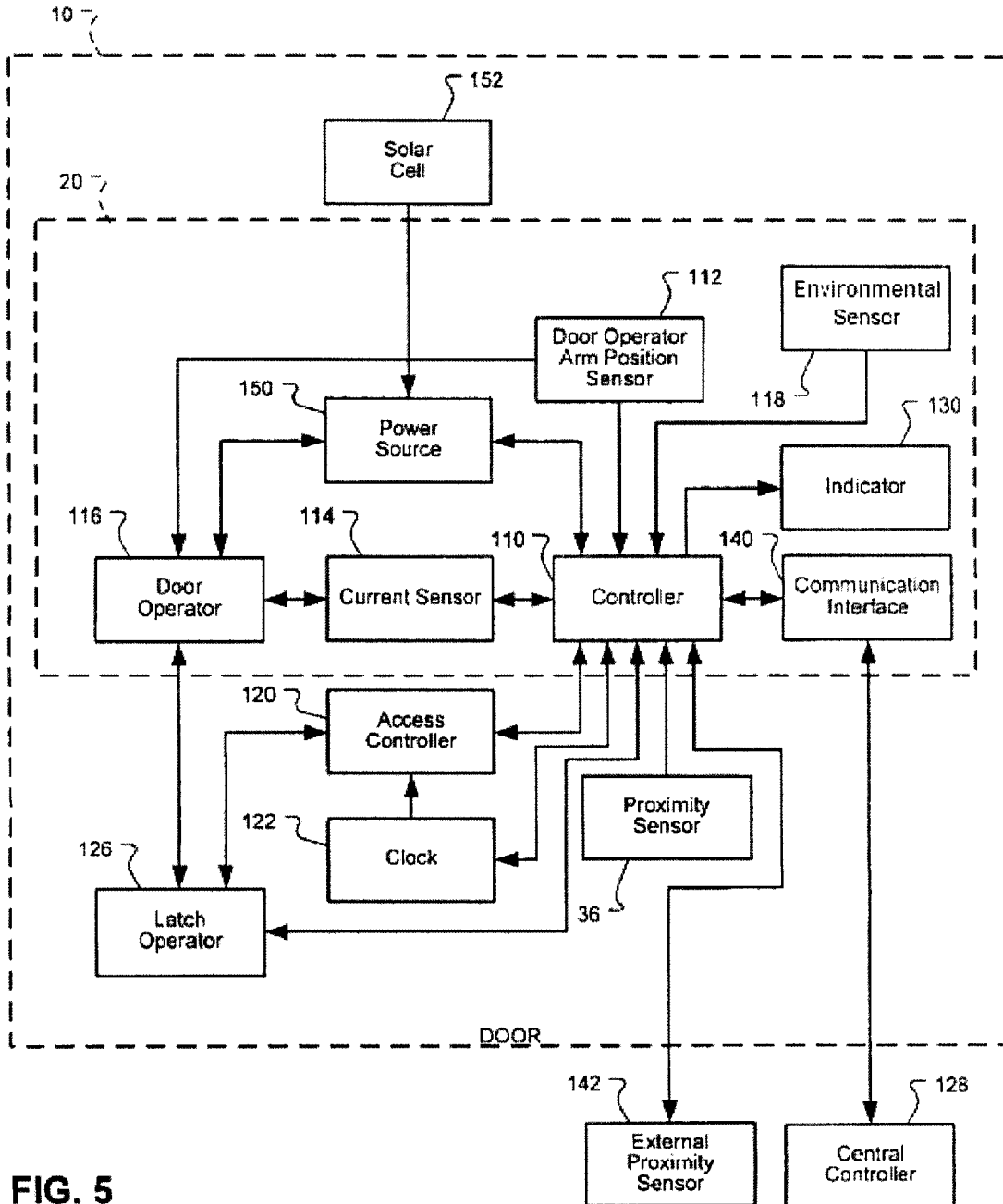


FIG. 5

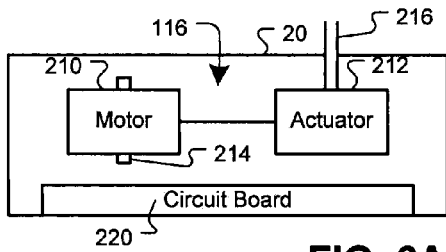


FIG. 6A

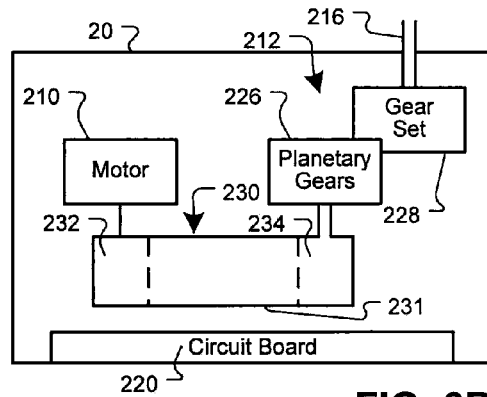


FIG. 6B

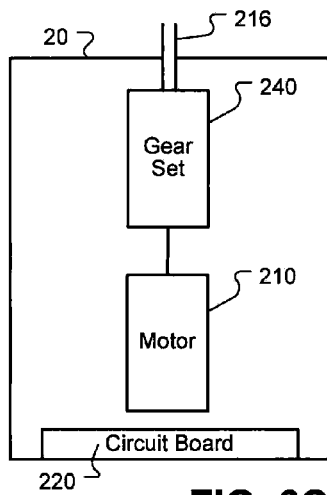


FIG. 6C

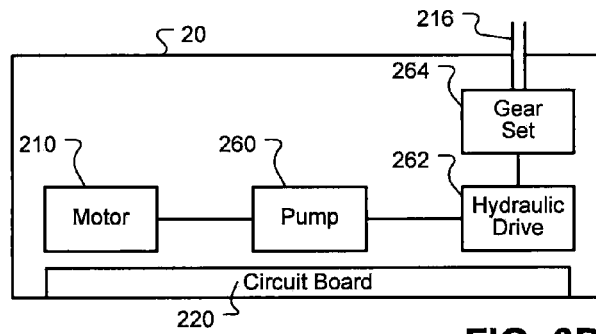


FIG. 6D

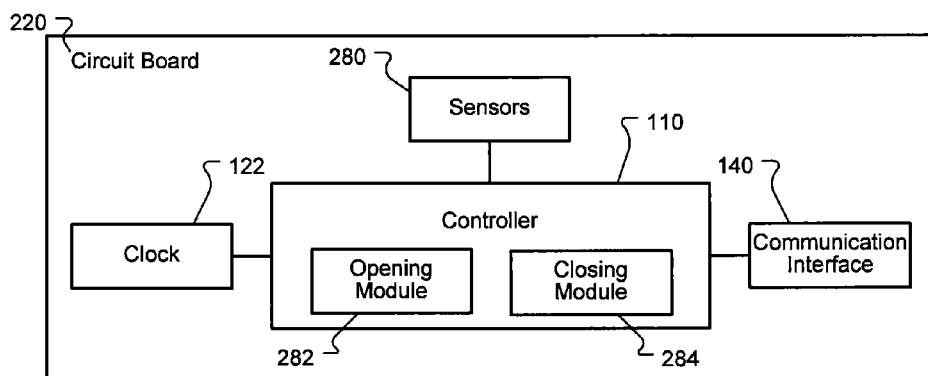


FIG. 7

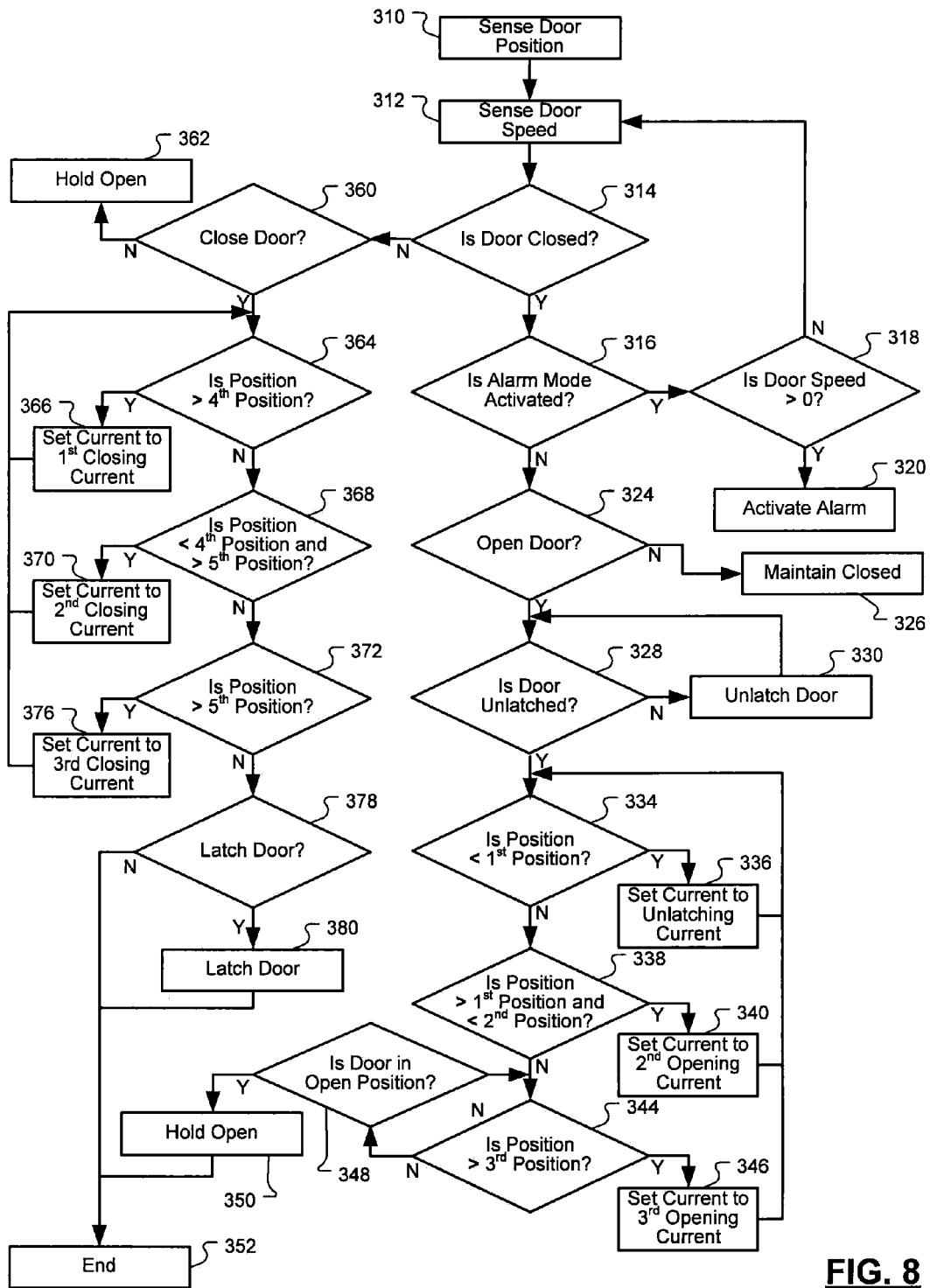


FIG. 8

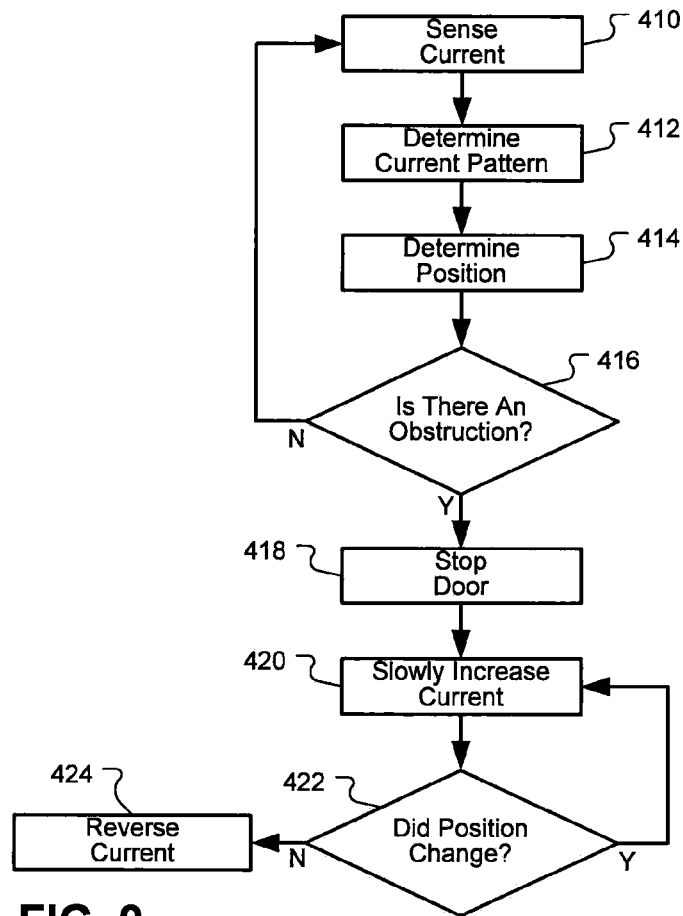


FIG. 9

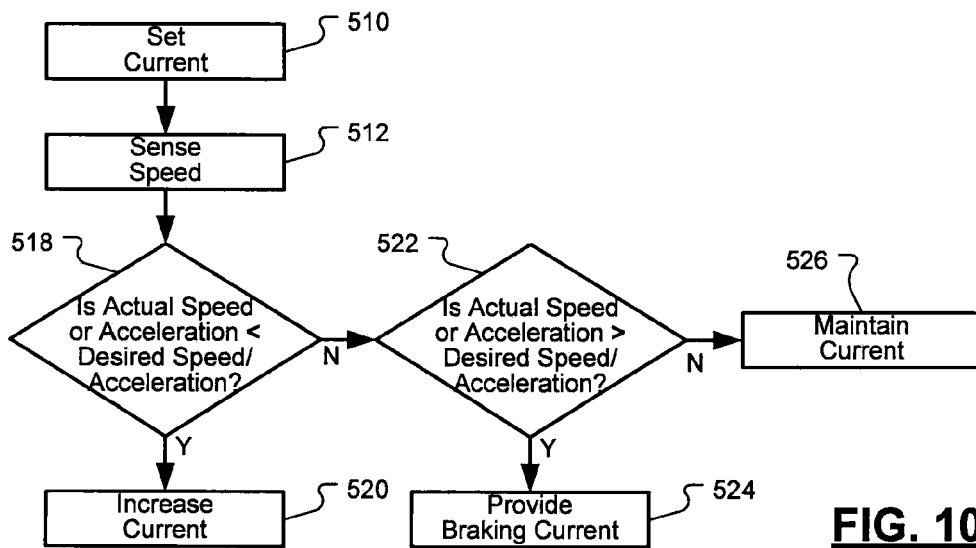


FIG. 10

1

CONCEALED ELECTRICAL DOOR OPERATOR

CROSS-REFERENCE TO RELATED APPLICATIONS

This application claims the benefit of U.S. Provisional Application Nos. 61/041,696, filed on Apr. 2, 2008 and 61/054,952, filed on May 21, 2008. The entire disclosures of each of the above applications are incorporated herein by reference.

FIELD

The present disclosure is related to door operators and, more specifically, to electrically-operated door operators.

BACKGROUND

The background description provided herein is for the purpose of generally presenting the context of the disclosure. Work of the presently named inventors, to the extent it is described in this background section, as well as aspects of the description that may not otherwise qualify as prior art at the time of filing, are neither expressly nor impliedly admitted as prior art against the present disclosure.

Installing doors into buildings under construction typically requires the assistance of various tradesmen. For example, for one opening, tradesmen such as carpenters, painters, glaziers, electricians, and drywallers are required to complete the installation of the door. Other tradesmen may also be used for the installation of the door. The number of tradesmen increases when the door has security or other specialty items incorporated near the door opening. Reducing the number of tradesmen will reduce the overall cost of the door when installation is included. Also, a reduction in human factors may also be reduced.

Door operators are typically designed around the concept of a return spring capable of exerting latching pressure with a spring alone. For example, many return springs provide about 15 lbs. of latching pressure using a spring. A motor large enough to overcome the spring pressure must be provided to operator a door operator. A door operator is capable of moving a door from an open position to a closed position, as well as from a closed position to an open position. Because of the size of the spring and the motor, a box that is approximately 6"x6"x36" is mounted, in plain view, over the door opening to house the motor and spring. Providing such door hardware in plain view may reduce the aesthetic appeal of the opening.

SUMMARY

The present disclosure provides a door operator assembly that does not include a return spring. Further, the electrical door operator is concealed within the door to provide a more aesthetically-pleasing door assembly.

In one aspect of the invention, a door operator includes a first door skin, a second door skin spaced apart from the first door skin and a door operator disposed between the first door skin and the second door skin. An arm extends from the door operator. The door operator includes a motor moving the arm to move the door between a closed position and an open position and between the open position and the closed position. A current sensor generates a current signal corresponding to the current to the motor. A position sensor in communication with the door arm generates a position signal corresponding to the position of the door relative to the frame.

2

A controller communicates with the sensor and the motor. The controller controls a motor current to the motor in response to the current signal and the position signal.

Further areas of applicability of the present disclosure will become apparent from the detailed description provided hereinafter. It should be understood that the detailed description and specific examples are intended for purposes of illustration only and are not intended to limit the scope of the disclosure.

BRIEF DESCRIPTION OF THE DRAWINGS

The present disclosure will become more fully understood from the detailed description and the accompanying drawings, wherein:

FIG. 1 is a front elevational view of a door having a door operator assembly according to the present disclosure;

FIG. 2 is a top view of the door and door operator assembly of FIG. 1;

FIG. 3 is a cross-sectional view of a door operator assembly for use in a retrofit situation;

FIG. 4 is cross-sectional view of a door with an originally-fitted closer;

FIG. 5 is a block diagrammatic view of a door system according to the present disclosure;

FIG. 6A is a simplified block diagrammatic view of the motor and actuator of a door operator assembly;

FIG. 6B is an alternative simplified block diagrammatic view of the door operator assembly;

FIG. 6C is another alternative simplified block diagrammatic view of the door operator assembly according to the present disclosure;

FIG. 6D is yet another alternative simplified block diagrammatic view of the door operator assembly operated under the control of a motor and hydraulics;

FIG. 7 is a simplified block diagrammatic view of a circuit board for use in the door operator assembly;

FIG. 8 is a flow chart showing a method of operating the door operator assembly of the present disclosure;

FIG. 9 is a flow chart showing a method for controlling the operating current of the door in the present disclosure; and

FIG. 10 is a flow chart showing a method for setting and changing the operating current of the door.

DETAILED DESCRIPTION

The following description is merely exemplary in nature and is in no way intended to limit the disclosure, its application, or uses. For purposes of clarity, the same reference numbers will be used in the drawings to identify similar elements. As used herein, the phrase at least one of A, B, and C should be construed to mean a logical (A or B or C), using a non-exclusive logical or. It should be understood that steps within a method may be executed in different order without altering the principles of the present disclosure.

As used herein, the term module refers to an Application Specific Integrated Circuit (ASIC), an electronic circuit, a processor (shared, dedicated, or group) and memory that execute one or more software or firmware programs, a combinational logic circuit, and/or other suitable components that provide the described functionality.

Referring now to FIG. 1, the present disclosure us set forth with respect to a door 10. The door 10 has a frame 12 that comprises horizontal stiles 14 and vertical stiles 16. The horizontal stiles 14 and vertical stiles 16 may be formed of a variety of materials, including wood, metal or a composite material.

The door **10** has a pair of outer faces **18**, only one of which is illustrated in FIG. **1**. The outer faces **18** may be referred to as "door skins." The outer faces **18** may comprise various materials, including metal, wood and composite materials. The interior of the door **10** between pieces of the door frame **12** and the door skins **18** may be filled with various materials, including, but not limited to, spacers and fire resistant materials, depending on the type of door.

The door **10** may also include a door operator assembly **20**. The door operator assembly **20** is disposed within the door **10** between the door skins **18**. An arm **22** extending from the door operator assembly **20** may be used to position the door **10** and move the door into the desired position. The arm **22** may extend from the door operator to the door frame or to a track on the wall adjacent to the door frame. A latch operator **24** may also be disposed within the door skin **18**. The latch operator **24** is associated with a door handle **26** that latches and unlatches the door. The latch operator **24** may be an electrically-operated latch operator, such as a motor or solenoid. The latch operator **24** may be in communication with the door operator assembly **20** and may operate under the control of the door operator assembly **20**. (Details of the operation of the door operator assembly **20** and the latch operator **24** will be provided below.) The latch operator **24** may be a mechanical operator that is electrically locked or operated in response to sensing the movement of the door handle **26**. One example of a mechanical latch operator is a panic bar. The latch operator **24** may be in communication with a latch mechanism **30** that is used for latching the door **10** within an external frame, as described below. A hinge **32** is used for rotating the door **10** within the external frame. Both the latch mechanism **30** and the hinge **32** may extend vertically along the entire edge of the door **10**.

A proximity sensor **36**, such as an antenna, may also be incorporated within the door **10**. By providing the proximity sensor **36** within the door **10**, the aesthetic appeal of the door is maintained. The proximity sensor **36** may sense the approach of an object or person and the speed of an object or person, and allow the door operator assembly **20** to operate. The proximity sensor **36** is in communication with the door operator assembly **20**.

Referring now to FIG. **2**, the door **10** is illustrated within an external door frame **50**. The door frame **50** fastens the door **10** to a wall **52**. The hinge **32** allows the door **10** to pivot about an axis within the frame **50**. The door frame **50** may include or have an additional track **54** that allows a first end **55** of the operator arm **22** to slide therein in the direction indicated by arrows **58**. As the position of the arm **22** rotates (as indicated by arrow **61**) at a second end **59** to change the position of the door **10**. The arm **22** is ultimately operated by motor and gear components within the door operator assembly **20**, as will be further described below. Latch mechanism **30** engages the door frame **50** or another door in a double-door application.

Referring now to FIG. **3**, a side cut-away view of a door **10** is shown, illustrating a door operator assembly **20** having the arm **22** attached thereto. The arm **22** may be attached to a motor within door operator assembly **20**, as will be described below. The first end **55** of arm **22** slides within the track **54** associated with a door frame **50**. The track **54** may be referred to as a "concealed track" or "U-shaped" since only one end of the channel forming the track is open. That is, the track **54** may have a top side and a bottom side, and one of the sides opened to receive the arm **22**. A stop **60** is integrally-formed with the door frame **50**. The door **10** rests against the stop **60** in a closed position. The configuration of FIG. **3** is suitable for

retrofitted doors in which the track **54** is added to the stop **60** and the door **10** then assembled within the door frame **50** to receive the arm **22**.

Referring now to FIG. **4**, a new construction type door assembly **62** is illustrated in which the track **54** is integrally formed with or attached to the top of the door frame **50** without a stop **60**, as illustrated in FIG. **3**. As the door **10** opens and closes under the influence of the door operator assembly **20**, the first second end **55** of the arm **22** remains within the track **54**.

Referring now to FIG. **5**, the door **10** and the door operator assembly **20** are illustrated in further detail. The door operator assembly **20** includes a controller **110**. The controller **110** may, for example, be a microprocessor-based controller. The controller **110** may be used to control various actions or outputs based upon various inputs.

The controller **110** may receive an input from a door operator arm position sensor **112**. The door operator arm position sensor **112** generates a signal corresponding to the angular position of the operator arm **22**. The angular position may be the position relative to the door **10**. As the door **10** opens, the angular position signal corresponds to a larger angle than when the door is in a closed position. In a closed position, the angular position may be about zero. Various types of sensors may act as the position sensor **112**, including a resistive sensor, a Hall Effect sensor, a pulse-counting sensor or an accelerometer that counts the amount of angular pulse signals from a door operator. Various types of sensors may be used.

The controller **110** may also be in communication with a current sensor **114**. The current sensor **114** generates a current signal corresponding with the amount of current being applied to a door operator **116**. The controller **110** may control a door operator **116**. The door operator **116** may be various types of door operators, as will be described below. The door operator **116** may, for example, be a motor, a motor with a hydraulic pump or a pump with a plurality of gears, such as a rack gear or the like. By monitoring the current within the current sensor **114**, the controller **110** can provide more or less opening force, change the velocity of the door opening or closing, or change the acceleration of the door opening or closing.

The controller **110** may also receive environmental signals from an environmental sensor **118**. The environmental sensor **118** may be one sensor or a plurality of sensors that sense the environmental conditions around the door **10**. One example of an environmental sensor **118** is a smoke detector that generates a smoke signal in response to a smoke condition. The environmental sensor **118** may also be a temperature sensor that senses the temperature around the door **10**. The environmental sensor **118** may also be a toxic agent sensor that generates a toxic agent signal in the presence of toxic agents. Various types of toxic agents may be sensed, including, for example, radiation. Light levels may also be sensed by the environmental sensor **118**. That is, the environmental sensor **118** may be a light sensor that generates a light signal corresponding to the amount of ambient light within an area around the door **10**.

The controller **110** may also be in communication with an access controller **120**. The access controller **120** may provide access for latching and unlatching the door through a latch operator **126**. The access controller **120** may be a PIN pad, a fingerprint recognition system, a voice recognition system, a retina recognition system, or various combinations of the above. The access controller **120** may also be a card reader or the like. The access controller **120** may also be in communication with a clock **122** that records the time of various entries and exits through the door **10**. In conjunction with the access

5

controller **120**, specific persons may be tracked based upon entry using the access controller **120**. The access controller **120** may also monitor and track attendance of various assets and the movement of the access or attendance of various persons or access within a building. The access controller **120** and clock **122**, in combination, may also unlock and lock various doors of a building based upon the calendar within the clock and the time associated with the clock.

The controller **110** may also control a latch operator **126**. The latch operator **126** may be a mechanical-based or electrical-based latch operator. The latch operator **126** may be used to lock the door **10** based upon inputs from the clock **122** or other inputs such as those from a central controller **128**. The latch operator **126** may allow the latch to be unlatched without the intervention of a person. By unlatching the door **10**, the latch operator **126** may then be easily moved by the motor associated with the door operator **116** into the desired position.

The proximity sensor **36** may also be an input to the controller **110**. The proximity sensor **36** may be one of a variety of sensors, such as the antenna illustrated in FIG. **1**. Other types of proximity sensors **36** may be included within the door **10** and outside the door. For example, the proximity sensor **36** may be a motion detector that can gauge the speed of an approaching person or object and open the door **10** corresponding to the speed of the approaching person or object. On example of a suitable use is to sense the speed of an approaching gurney in a hospital environment. The proximity sensor **36** may also be a wall switch that activates door operator **116**, or other type of sensing device, such as a floor-mounted pad sensor. The proximity sensor **36** may also generate a signal to the controller **110** that, in response the proximity sensor **36**, unlatches the latch through the latch operator **126**. Thus, a latch open signal may be generated by the controller **110** to unlatch the latch based upon a proximity signal corresponding to a person or object in proximity of the proximity sensor **36**. The latch operator **126** may also generate a latch completion signal to signal the controller **110** that opening the door **10** is enabled since the latch is open.

The controller **110** may also be communication with an indicator **130**. The indicator **130** may be an audible indicator, such as a buzzer, beeper or bell, or a visual indicator, such as a light-emitting diode, a display or a light. Audible signals, visual signals or both may be used in a particular system. The indicator **130** may generate an indicator in response to an alarm. By knowing that a particular door should not be opening and when the arm position sensor **112** generates a signal corresponding to the opening of the door during a guarded time period, the indicator **130** may generate an indicator corresponding to an alarm.

The controller **110** may also be in communication with a communication interface **140**. The communication interface **140** may communicate with the central controller **128** or other door controllers of a building. The communication interface **140** generates signals in the proper format and potentially with encryption to the central controller **128**. The controller **110** may communicate alarm signals to the central controller **128** through the communication interface **140**. The central controller **128** may also generate control signals to the controller **110** to change various time periods associated with the door **10**, such as lock-down times, door-opening times, speeds and accelerations.

An external proximity sensor **142** may also be in communication with the controller **110**. The external proximity sensor **142** may be a wall-mounted switch or motion-detecting device that communicates a proximity sensor signal to the controller **110**.

6

A power source **150** may be in communication with the door operator assembly **20**. The power source **150** may, for example, be in communication with the door operator **116** and the controller **110**. Other devices within the door **10** may be in communication with the power source **150**. The power source **150** may be a battery that is used to operate the door operator assembly **20**. The power source **150** may be located between the door skins **18** illustrated in FIG. **2** within the door **10**. The power source **150** may be a rechargeable power source that is recharged by a solar cell **152**. The power source **150** may also be easily removable so it can be readily replaced.

FIGS. **6A-6D** provide alternative embodiments to the layout within the door cavity.

Referring now to FIG. **6A**, the door operator assembly **20** is illustrated with a high-level blocked diagrammatic view. In this embodiment, the door operator **116** may comprise a motor **210** and an actuator **212**. The motor **210** may have a vertical axis **214** oriented in a vertical direction. The actuator **212** may comprise gears and the like. The actuator **212** may comprise various types of gears, including planetary gears, worm gears, spur gears, and the like. The actuator **212** has a shaft **216** that is rotatably coupled to the arm **22** of FIGS. **1** and **2**. Each of the embodiments below have the shaft **216** rotatably coupled to the arm **22**.

A circuit board **220** may be incorporated within the door operator assembly **20**. The circuit board **220** may house the controller and various other components, as described below. Sensors may also be disposed on the circuit board **220**. The circuit board **220** may comprise one circuit board or multiple circuit boards that are arranged to fit between the outer skins illustrated in FIG. **2** of the door. Each of the embodiments below may include the circuit board **220**.

Referring now to FIG. **6B**, the actuator **212** of FIG. **6A** may include planetary gears **226** and a secondary gear set **228**. The secondary gear set **228** may comprise spur gears or the like. The motor **210** may be coupled to the planetary gears **226** using a belt drive **230**. A belt **231** extends from a first gear **232** coupled to the motor **210** and a second gear **234** coupled to the planetary gears **226**.

Referring now to FIG. **6C**, the motor **210** is oriented axially with a gear set **240**. The gear set **240** is in communication with the operator arm **22** (not illustrated).

Referring now to FIG. **6D**, the motor **210** is used to drive a pump **260**. The pump **260** is in fluid communication with a hydraulic drive **262**. By increasing the speed of the motor **210**, various pressures of hydraulic fluid may be provided to the hydraulic drive **262**. A gear **264**, which may be different or similar to the gear sets **240**, **228** described above, may couple the hydraulic drive **262** to the arm **22**.

In each of the embodiments illustrated in FIGS. **6A-6D**, the motor **210** and actuator are sized to be fully received between the door skins of the door **10**. The gears are sized and positioned to convert the rotary motion of the motor **210** into motion of the arm **22**, which in turn opens or closes the door **10**.

Referring now to FIG. **7**, the circuit board **220** of FIGS. **6A-6D** is illustrated. Various components may be mounted on or coupled to the circuit board **220**. Various sensors are illustrated with reference numeral **280**. The various sensors **280** may be the sensors illustrated in FIG. **5**. At least some of the sensors **280** may be mounted directly on this circuit board **220**.

The controller **110** may include an opening module **282**. The opening module **282**, based upon the various sensors **280**, may control the opening position, opening speed and opening acceleration of the door relative to the door frame. A closing

module **284** may also be provided within the controller **110**. The closing module **284** may control the closing position, closing speed and closing acceleration of the door **10** of the controller **110**. Both the opening module **282** and the closing module **284** may have several regions defined for different speeds, accelerations and positions. For example, the opening module **282** may provide an unlatching force in a first range, which corresponds to providing a predetermined current to obtain a predetermined velocity of the door at a predetermined acceleration. Once the door is unlatched and opened greater than a first predetermined amount, the first door speed or acceleration may be adjusted by controlling the motor current to a second door speed or acceleration. When close to being open after a second predetermined door position, the door speed or acceleration may change. Of course, multiple regions corresponding to the position may be provided so that different speeds of the door may be provided. The closing module **284** may, likewise, have different speeds and velocities associated with various positions. Several regions may also be provided for the closing module **284**. When the door is nearly closed, the velocity for latching may be maintained by increasing the current to the motor to overcome the stack pressure of the building. Also, both modules **282** and **284** may compensate for wind pressure in either direction. That is, a wind forcing the door open while the opening module **282** is opening the door may require a resistive current to resist the speed of the wind. Likewise, if the wind is against the opening direction, additional current may be required to maintain the desired the velocity of the door. The clock **122** and communication interface **140** may also be incorporated onto circuit board **220**.

Referring now to FIG. **8**, one method of operating the door is set forth. In step **310**, the position of the door is sensed by the door operator arm position sensor **112** illustrated in FIG. **5**. In step **312**, the speed of the door relative to the frame is sensed. As will be described below, the position and the speed of the door allows the controller to control the current to maintain desired speeds and positions. In step **314**, it is determined whether the door is closed. If the door is closed, step **316** determines whether an alarm mode has been activated. In an alarm mode, the door should not open. If an alarm mode has been activated in step **316**, step **318** determines the door speed. If the door speed is not greater than zero, then step **312** is again performed. In step **318**, if the door speed is greater than zero, then an alarm is activated in step **320**.

Referring back to step **316**, if the alarm mode has not been activated, it is determined whether the door is desired to be opened in step **324**. If the door is not desired to be opened, step **326** is performed. Step **326** maintains the door in a closed position.

In step **324**, if the door is desired to be opened, it is determined whether the door has been unlatched. If the door has not been unlatched, the door may be unlatched in step **330**. The unlatching of the door may be mechanically or electro-mechanically performed using the latch operator. If the door is unlatched, step **334** is performed. In step **334**, it is determined whether the position of the door is less than a first position. The position of the door is determined constantly throughout the process since the door is ever changing. When the door is less than the first position, the current is set to an unlatching current in step **336**. If the position is not less than first position, it is determined whether the position is between a first position and a second position in step **338**. If the current is between a first and a second position, step **340** sets the current to a second opening current. In step **338**, if the position of the door is not between a first position and a second position, step **344** may be performed. Step **344** determines

whether the position is greater than a third position, but less than a fully-opened position. If the position is between the third position and the fully-opened position, step **346** sets the current to a third operating current. If the position is not between the third position and the fully-opened position, step **348** determines whether the door is in the opened position. If the door is not in the opened position, step **344** is again performed. If the door is in the opened position, step **350** holds the door in the open position. Step **352** ends the process.

Steps **336**, **340** and **346** illustrate various operating currents that are used that correspond to various positions of the door. Different currents may be used to obtain different speeds or accelerations, as will be set forth in FIG. **10**. Although the three different door positions and the opened positions are set forth, various numbers of positions corresponding to different currents may be provided, including less than three positions, such as one current for the entire door swing or more than three intermediate positions.

Referring back to step **314**, it is determined whether the door is desired to be closed in step **360**. If the door is not desired to be closed in **360**, step **362** holds the door open. It should be noted that the hold open current for the door in step **362** and step **350** above may be a relatively low current since a return spring is not provided in the present configuration. In step **364**, it is determined whether the position of the door is greater than a fourth position. If the position is greater than a fourth position, the closing current may be set to a first closing current in step **366**. In step **364**, if the position is not greater than a fourth position, step **368** is performed. In step **368**, it is determined whether the position is between a fourth position and a fifth position. If the position is between a fourth position and a fifth position, the current may be set to a second closing current in step **370**. If the position is not between a fourth position and a fifth position, step **372** may be performed. In step **372**, it is determined whether the position is greater than a fifth position. If the position is greater than a fifth position, step **376** is performed. If the position is not greater than a fifth position, step **378** may be performed. In step **378**, it is determined whether or not the door is to be latched. If the door is not to be latched, the method ends in step **352**. If the door is to be latched in step **378**, the door is latched in step **380** and the process ends in step **352**. The door may be mechanically or electro-mechanically latched in step **380**.

Referring now to FIG. **9**, during the entire operating process of FIG. **8**, the current may be sensed. This is illustrated in step **410**. In step **412**, a current pattern may be determined. The current pattern may look at the current for a time preceding the last current reading. The current readings may be performed at regular intervals. In step **414**, the position of the door may also be used to determine whether or not an obstruction is present. In step **416**, an obstruction is determined. An obstruction may be determined by looking at the current pattern, the position of the door or both. If there is no obstruction, step **410** is again performed. Examples of obstructions may include a person contacting the door, door latch or door hinge. For example, fingers in the door hinge or latch may be an obstruction.

In step **416**, if there is an obstruction, the movement of the door is stopped in step **418**. It should be noted that the detection of the obstruction may be performed when the door is both opening and closing. In step **420**, the current is slowly increased. If the position does change in step **422**, the current is continually increased. If the position does not change in step **422**, the current is reversed in step **424** to back up the door position to a previous position.

Referring now to FIG. **10**, the setting of the current in steps **336**, **340**, **346**, **366**, **370**, and **376** of FIG. **8** are illustrated in

further detail. Each of the steps 336, 340 and 346 may have similar elements and are, thus, described here in further detail. In step 510, the current is set as provided above in one of the steps, such as 336, 340 and 346. In step 512, the speed of the moving door is determined. In step 518, the actual speed of the door or the acceleration is compared to a desired speed or desired acceleration. It should be noted that the acceleration of the door may be determined by determining a change in the speed sensed in step 512. In step 518, if the actual speed or acceleration is less than a desired speed or acceleration, the current may be increased in step 520. This allows the actual speed or acceleration to be increased to the desired speed or acceleration. It should be noted that both the speed and the acceleration may be increased by increasing the current in step 520. If the actual speed or acceleration is not less than the desired speed or acceleration, step 522 is performed. In step 522, if the actual speed or acceleration is greater than the desired speed or acceleration, step 524 is performed. In step 524, a braking current is provided to prevent the door from going faster than the desired speed or acceleration. This may occur when someone or some force is pushing on the door. The force may include a person pushing on the door or wind. If the actual speed or acceleration is not greater than the desired speed or acceleration, the system is operating as it should and the current is maintained in step 526.

The broad teachings of the disclosure can be implemented in a variety of forms. Therefore, while this disclosure includes particular examples, the true scope of the disclosure should not be so limited since other modifications will become apparent to the skilled practitioner upon a study of the drawings, the specification, and the following claims.

What is claimed is:

1. A door assembly comprising:

- a first door skin;
 - a second door skin spaced apart from the first door skin;
 - a door operator disposed between the first door skin and the second door skin; and
 - an arm extending from the door operator,
- wherein said door operator comprises:
- a motor moving the arm to move the door between a closed position and an open position and between the open position and the closed position,
 - a current sensor generating a current signal corresponding to a current to the motor;
 - a position sensor in communication with the arm generating a position signal corresponding to the position of the door relative to a door frame;
 - a controller communicating with the current sensor, the position sensor and the motor, said controller controlling a motor current to the motor in response to the current signal and the position signal, and
- wherein the controller increases the motor current to obtain a predetermined movement speed,
- the door operator further comprising a gear set, and a belt drive in communication with the motor and gear set, said gear set operating the arm in response to the belt drive, and
- the gear set comprises a planetary gear set.

2. A door assembly as recited in claim 1 wherein the controller changes the motor current based on the position signal.

3. A door assembly as recited in claim 1 wherein the controller changes the motor current based on the position signal at least three times between the open position and the closed position.

4. A door assembly as recited in claim 1 further comprising a latch operator in communication with the controller, said controller controlling the motor current in response to a latch operator signal from the latch operator.

5. A door assembly as recited in claim 4 wherein the latch operator is disposed within the door.

6. A door assembly as recited in claim 1 further comprising an access controller in communication with the controller, said access controller enabling opening of the door.

7. A door assembly as recited in claim 6 wherein the access controller is disposed at least partially within the door.

8. A door assembly as recited in claim 1 further comprising a proximity sensor disposed between the first door skin and the second door skin, said proximity sensor generating a proximity signal corresponding to an object approaching the door, said controller controlling the motor current in response to the proximity signal.

9. A door assembly as recited in claim 1 further comprising an environmental sensor in communication with the controller, said environmental sensor generating an environment signal.

10. A door assembly as recited in claim 9 wherein the environmental sensor comprises at least one of a smoke sensor, a toxic agent sensor, a light sensor and a heat sensor.

11. A door assembly as recited in claim 1 wherein the door operator comprises a power source disposed between the first door skin and the second door skin.

12. A door assembly as recited in claim 11 wherein the power source comprises a battery.

13. A door assembly as recited in claim 11 wherein the power source comprises a rechargeable battery.

14. A door assembly as recited in claim 13 wherein the power source comprises a rechargeable battery in communication with a solar cell, said solar cell recharging the rechargeable battery.

15. A door assembly as recited in claim 1 wherein the controller generates a braking current when the movement speed is greater than a desired speed.

16. A door assembly as recited in claim 1 wherein the controller generates a braking current when the movement speed is greater than a desired speed for a predetermined position.

17. A door assembly as recited in claim 1 wherein a first end of the arm is rotatably coupled to the door assembly and a second end of the arm is slidably coupled within a channel coupled to the door frame.

18. A communication comprising:
a central controller; and
the door assembly as recited in claim 1,
wherein the door assembly comprises a communication interface for communicating with the central controller.

19. A door assembly as recited in claim 1 further comprising a proximity sensor disposed on the first door skin generating a proximity signal corresponding to an object approaching the door.

20. A door assembly as recited in claim 1 wherein the position sensor comprises an accelerometer.

UNITED STATES PATENT AND TRADEMARK OFFICE
CERTIFICATE OF CORRECTION

PATENT NO. : 8,261,491 B2
APPLICATION NO. : 12/416622
DATED : September 11, 2012
INVENTOR(S) : Yulkowski et al.

Page 1 of 1

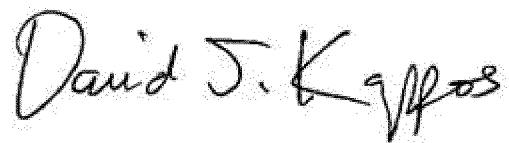
It is certified that error appears in the above-identified patent and that said Letters Patent is hereby corrected as shown below:

On the Title Page:

The first or sole Notice should read --

Subject to any disclaimer, the term of this patent is extended or adjusted under 35 U.S.C. 154(b)
by 522 days.

Signed and Sealed this
Fifteenth Day of January, 2013

A handwritten signature in black ink that reads "David J. Kappos". The signature is written in a cursive style with a large initial "D".

David J. Kappos
Director of the United States Patent and Trademark Office